

445

## Ball valve of stainless steel with flanges DN 15 - 150

06.02.2007

### Operation

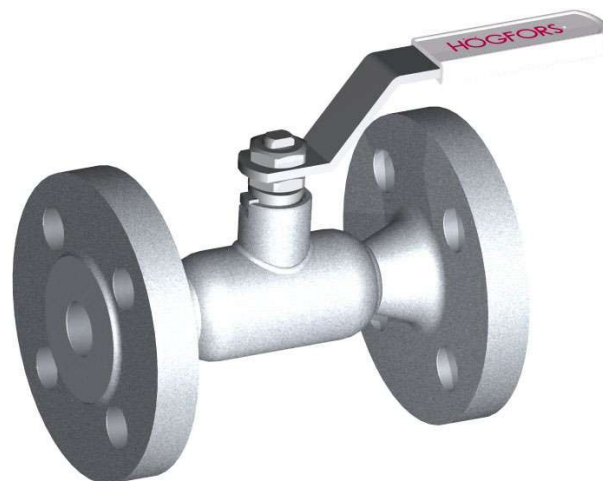
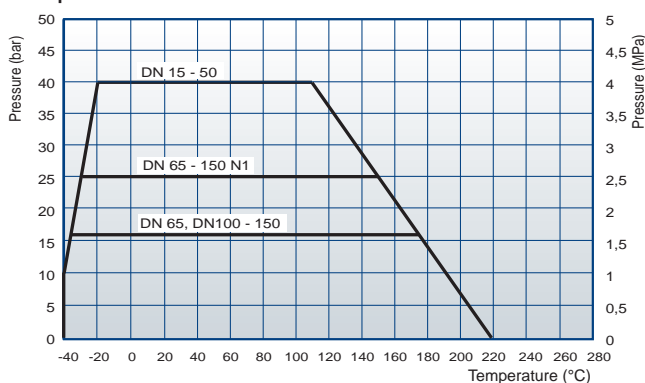
Ball valve 445 is a tightly closing on-off valve suitable for liquid and gas pipe systems. It is used for example in industrial pipe lines.

**Nominal pressure** PN 40, PN 25, PN 16  
according to flange drilling

**Tightness class** ISO 5208, EN 12266-1 RATE A

**Operating temperature** max +220°C/ min -40°C

The max pressure difference depends on the working temperature



### Construction

This welded ball valve with flanges and the body is made of stainless steel. Floating ball and blow-out proof stem are made of stainless steel. Ball sealing is of PTFE+C. Stem has tightable PTFE-rings.

Conform with the requirements of the Council Directive 97/23/EC on Pressure Equipment, marking:

Class: Gas, group 1



**Nominal dimensions:** DN 15 - 150

**Product codes:** 445TS\_ \_ \_ with handlever  
445TS\_ \_ \_ Z with bare shaft  
445TS\_ \_ \_ M with manual gear  
445TS\_ \_ \_ N1 PN 25

### Materials

**Body:** EN 10217-7 1.4404, DIN 17457 1.4404  
**Ball:** EN 10217-7 1.4404, DIN 17457 1.4404  
**Stem:** EN 10272 1.4404  
**Seal:** PTFE+C  
**Stem Seal:** PTFE

445

Ball valve of stainless steel with flanges  
DN 15 - 150

06.02.2007

Dimensions

DN	PN	N1	Kv <sub>100</sub>	d	D	N1	L	H	h	l	Weight kg
15	40		8	10	95		130	73	30	110	2,0
20	40		13	15	105		150	73	30	110	2,7
25	40		25	20	115		160	95	36	140	3,3
32	40		41	24	140		180	98	36	140	4,7
40	40		65	31	150		200	122	47	180	6,0
50	40		100	39	165		230	128	47	180	7,9
65	16	25	180	50	185	185	270	150	50	250	10,4
80		25	270	65		200	280	162	50	250	15,6
100	16	25	420	80	220	235	300	183	55	320	19,0
125	16	25	650	100	250	270	325	198	55	320	27,0
150	16	25	950	125	285	300	350	240	56	600	42,0

